

PASCO

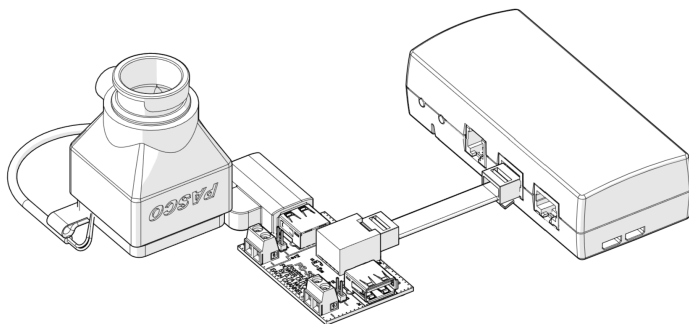
USB Fan

PS-6206

Getting started

The USB Fan is designed to be attached to the EcoChamber or mounted to a rod stand. The power is provided to the fan by using a Power Output Board connected to a //control.Node. The fan can be turned on or off using a block in the Code tool in SPARKvue or PASCO Capstone.

Connect to the //control.Node



Required equipment

- //control.Node (PS-3232)
- Power Output Board (PS-3324)
- SPARKvue or PASCO Capstone software

1. Connect a Power Output Board to a //control.Node.
2. Connect the USB Fan to a USB port on the Power Output Board.
3. Connect the //control.Node to SPARKvue or PASCO Capstone.
4. In the software, go to the Code tool and select the Hardware category. Drag the set power output block to the workspace.
5. Configure the set power output block:
 - Set the port to the Power Out port the board is connected to (A or B) and the channel the fan is connected to (CH1 or CH2).
 - Set the connection to USB.

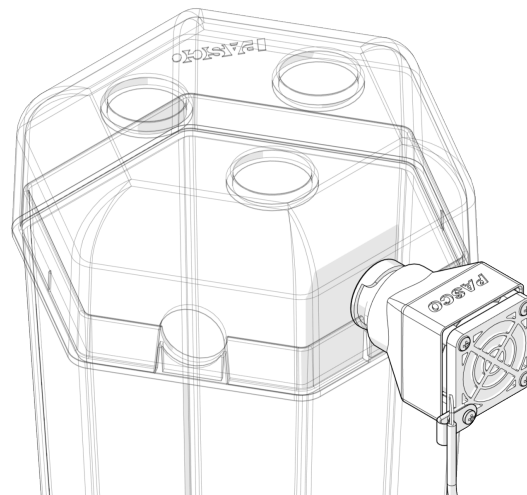
The fan turns on when the logic block is set to true.

```
set power output for //control.Node port A, CH1 using USB on: true
```

Attach to the EcoChamber

Required equipment

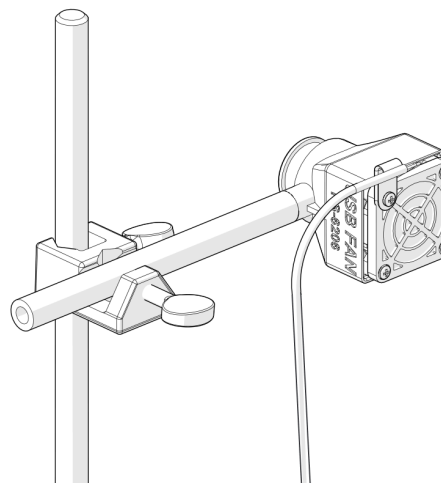
- EcoChamber (ME-6667)
1. Insert the cylindrical end of the fan into one of the grooves on the side of the EcoChamber tank.
 2. Rotate the fan so that the lip on the fan is on top.
 3. Place the lid on the tank to hold the fan in place.



Mount to a rod stand

Required equipment

- Mounting rod (ME-9483)
 - Multi-Clamp (ME-9507)
 - Rod stand
1. Attach a mounting rod to the threaded hole on the fan.
 2. Attach the mounting rod to a Multi-Clamp.
 3. Attach the Multi-Clamp to a rod on a rod stand.



Download an experiment

Download one of several student-ready activities from the PASCO Experiment Library that use the USB Fan. Experiments include editable student handouts and teacher notes. Go to pasco.com/freelabs/PS-6206 to access the files.

If you want to explore on your own, check out the SPARKvue and PASCO Capstone help guides to search for specific topics.

SPARKvue

Software: Go to the **Main Menu**  then select **Help**.

Online: Go to pasco.com/help/sparkvue.

PASCO Capstone

Software: In the menu bar, click **Help** then select **PASCO Capstone Help**.

Online: Go to pasco.com/help/capstone.

Technical Support

Need more help? Our knowledgeable and friendly Technical Support staff is ready to provide assistance with this or any other PASCO product.

Phone (USA) 1-800-772-8700 (Option 4)

Phone (International) +1 916 462 8384

Online pasco.com/support

Regulatory information

Warranty, Copyright, and Trademarks

Limited Warranty

For a description of the product warranty, see the Warranty and Returns page at www.pasco.com/legal.

Copyright

This document is copyrighted with all rights reserved. Permission is granted to non-profit educational institutions for reproduction of any part of this manual, providing the reproductions are used only in their laboratories and classrooms, and are not sold for profit. Reproduction under any other circumstances, without the written consent of PASCO scientific, is prohibited.

Trademarks

PASCO and PASCO scientific are trademarks or registered trademarks of PASCO scientific, in the United States and/or in other countries. All other brands, products, or service names are or may be trademarks or service marks of, and are used to identify, products or services of, their respective owners. For more information visit www.pasco.com/legal.

Product end of life disposal instructions



This electronic product is subject to disposal and recycling regulations that vary by country and region. It is your responsibility to recycle your electronic equipment per your local environmental laws and regulations to ensure that it will be recycled in a manner that protects human health and the environment. To find out where you can drop off your waste equipment for recycling, please contact your local waste recycle or disposal service, or the place where you purchased the product.

The European Union WEEE (Waste Electronic and Electrical Equipment) symbol on the product or its packaging indicates that this product must not be disposed of in a standard waste container.